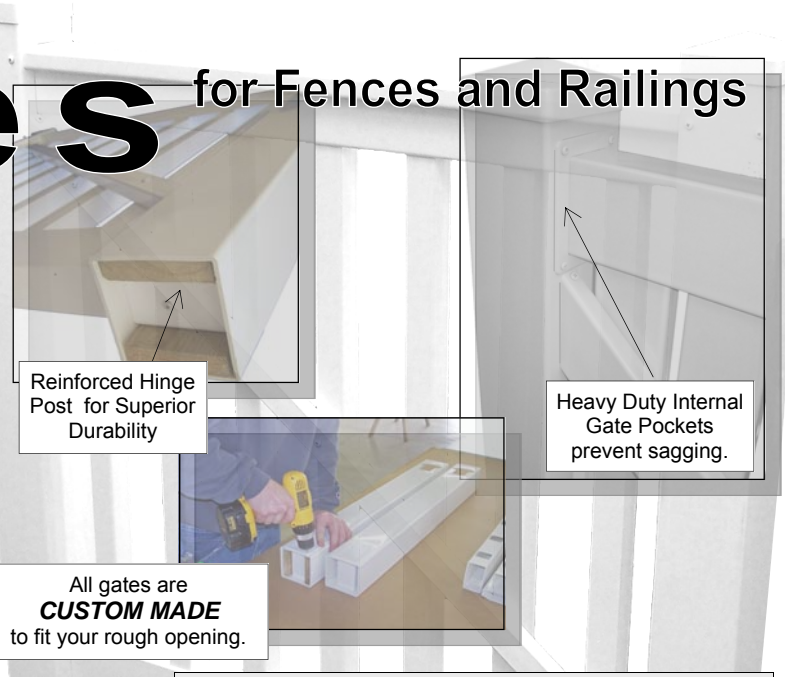


Gates for Fences and Railings

- There are no stock sizes for gates. All railing and fence gates are custom made to fit your gate opening, therefore **GATES ARE NOT RETURNABLE.**
- **When ordering** give the full width of your finished gate opening (with post sleeves installed). We will size the gate to allow for the appropriate hardware.
- All **railing gates** are supplied with adjustable **self-closing hinges** and a **keyed poly latch**.
- All **fence gates** are supplied with **H/D adjustable hinges** and **H/D metal latch**.
- A 24" drop rod (cane bolt) will be supplied with any gate pair designated as a double gate.
- All metal hardware is **powder coated stainless steel**.
- **Swimming Pool Code** compliant hardware (Magna-Latch) is available for all gates at an additional charge.
- All hardware is available in **white** upon request



Gate Component Pricing		
H/D Adjustable Polycarbonate Hinges	GH10	
Self-closing Adjustable Hinges	GH11	
H/D Adjustable Hinges	GH12	
H/D Metal Latch	GH20	
Poly Keyed Latch	GH21	
External Access Kit for GH21 (Not shown)	GH22	
Pool Code Magna Latch	GH23	
Polycarbonate Handle	GH30	
24" Drop Rod	GH40	
4" Gate Wheel	GH50	

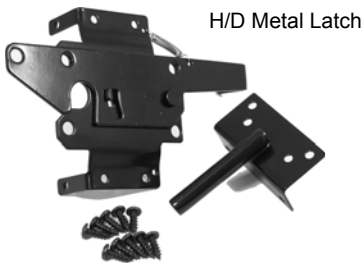


H/D Adjustable Polycarbonate Hinges

Optional—Add \$ list to price of gate



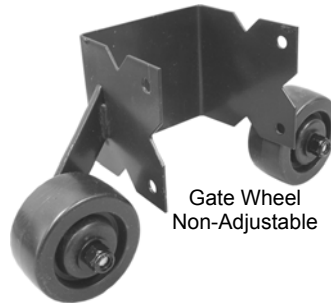
Polycarbonate Handle
Optional—\$ list



H/D Metal Latch



24" Drop Rod



Gate Wheel Non-Adjustable



Self-closing Adjustable Hinges



Poly Keyed Latch



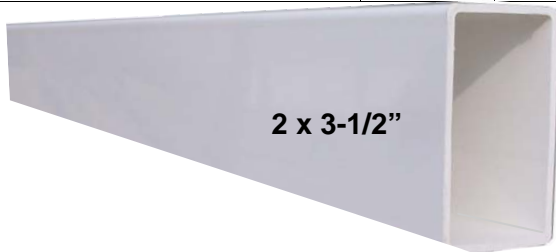
Pool Code Magna Latch
Optional—Add \$ list to price of gate



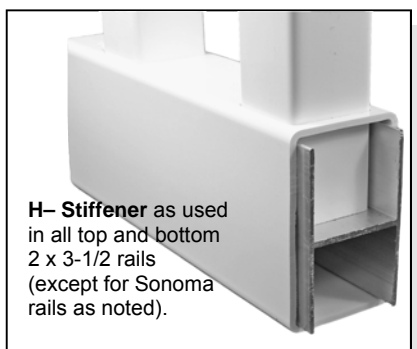
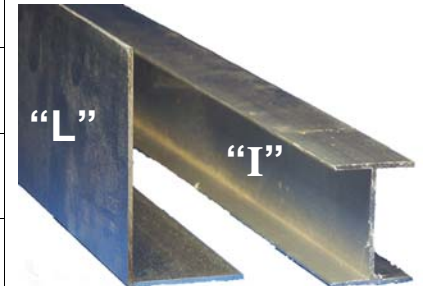
H/D Adjustable Hinges

Blank Rails & Stiffeners

Blank Rails (No routed holes.)	6'		8'		10'		12'	
	White	Colors	White	Colors	White	Colors	White	Colors
2" x 3-1/2"	6NR	6NR-__	8NR	8NR-__	10NR	10NR-__	12NR	12NR-__
Alzar	6ANR	6ANR-__	8ANR	8ANR-__	10ANR	10ANR-__	12ANR	12ANR-__



Aluminum Rail Stiffeners	6'	8'	10'	12'
Box Stiffener	6AB	8AB	10AB	12AB
Sonoma Stiffener	6AS	8AS	10AS	12AS
"H" Stiffener	6AH	8AH	10AH	12AH
"L" & "I" Stiffener (used for 8' wide fencing)	NOT AVAILABLE	8IS or 8LS		
4 x 4 Gate Post Stiffener	644APS	844APS		
5 x 5 Gate Post Stiffener	655APS	855APS		
New! 5 x 5 "H" Stiffener (Open on two sides)	NOT AVAILABLE	855HPS		



Pergola Roof Component System

Missouri Vinyl Products

Also available in ALMOND - Add 15%
CLAY - Add 25 %

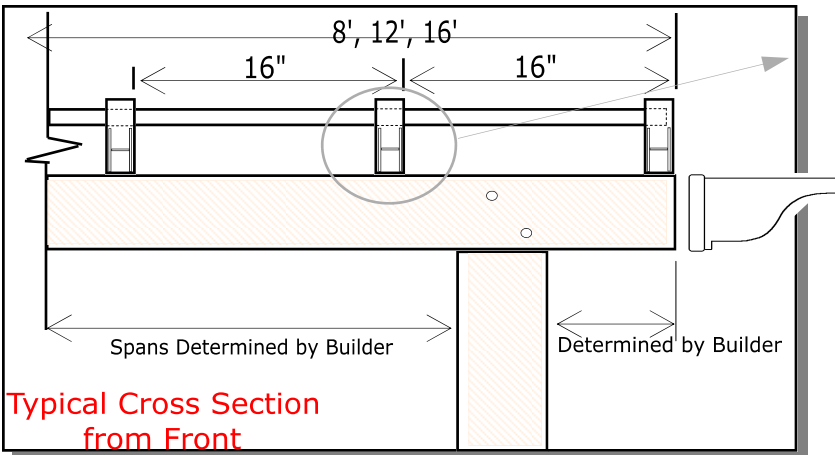
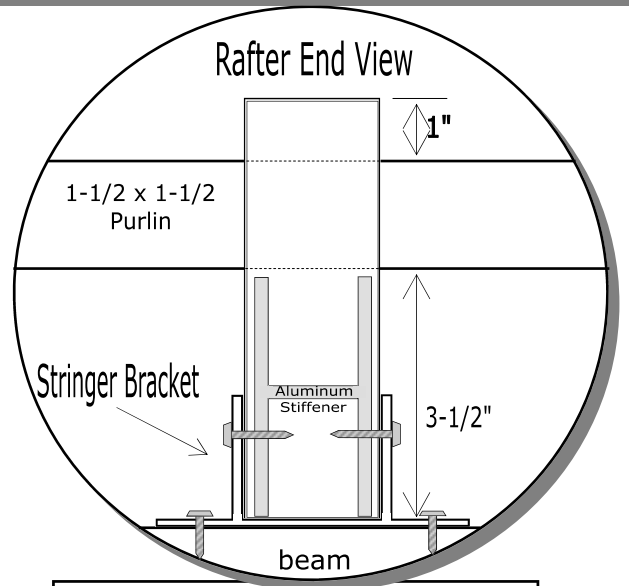
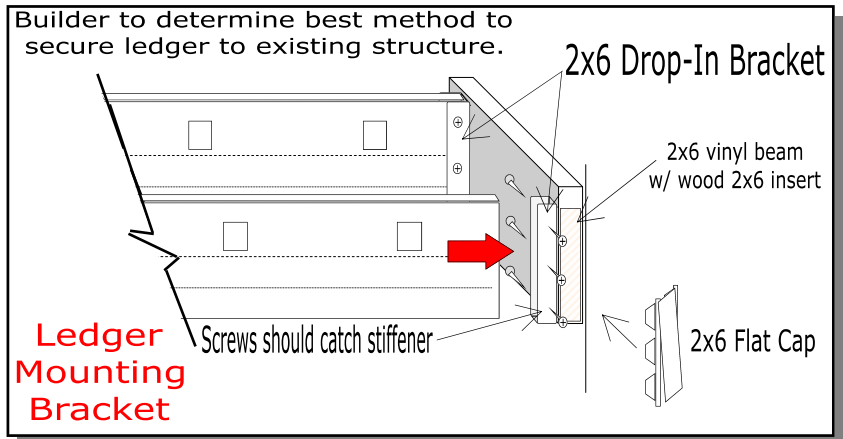
	8'	12'	16'
End Rafter	PER8	PER12	PER16
Mid Rafter	PMR8	PMR12	PMR16
Aluminum Stiffeners	8AH	12AH	16AH

Purlins	PP8	PP12	PP16
---------	-----	------	------

Beam	P268	P2612	P2616
------	------	-------	-------

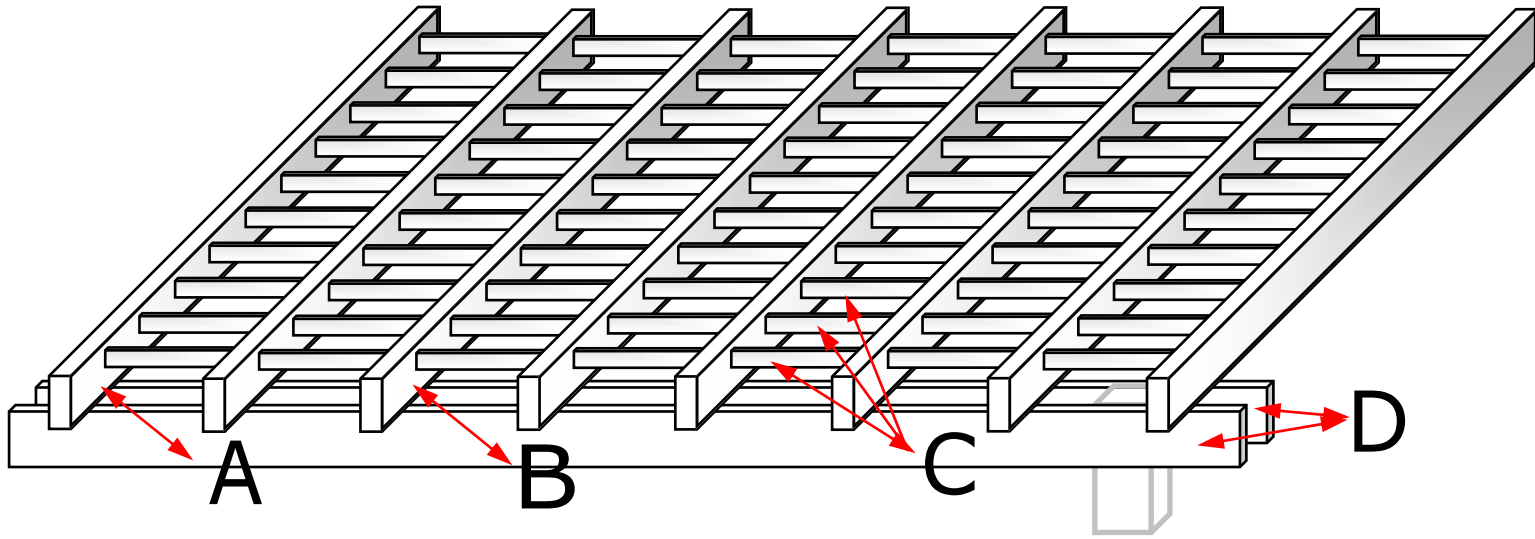
2 x 8 Beam (Only Available in White)	P268	P2812	P2816
---	------	-------	-------

Items:	White	Almond	Clay
2x6 Flat Caps	RP26	RP26-A	RP26-K
2x8 Flat Caps	RP28	N/A	N/A
2x6 Roman Caps	RC26	RC26-A	RC26-K
2x8 Roman Caps	RC28	N/A	N/A
1.5 x 5.5 Roman Cap	RC15	N/A	N/A
2 x 3.5 Roman Cap	RC23	N/A	N/A
5/8" Hole Plug	H102	H102-A	H102-K
1" Hole Plug	H101	H101-A	H101-K
2x6 Drop-In Bracket	26DRP	26DRP-A	26DRP-K
2x8 Drop-In Bracket	28DRP	N/A	N/A
2" Stringer Bracket	2SB	2SB-A	2SB-K
1-1/2 sq. Pointed Cap	15SHP	15SHP-A	15SHP-K
1-1/2 sq. Bevel Cap	15BEV	N/A	N/A

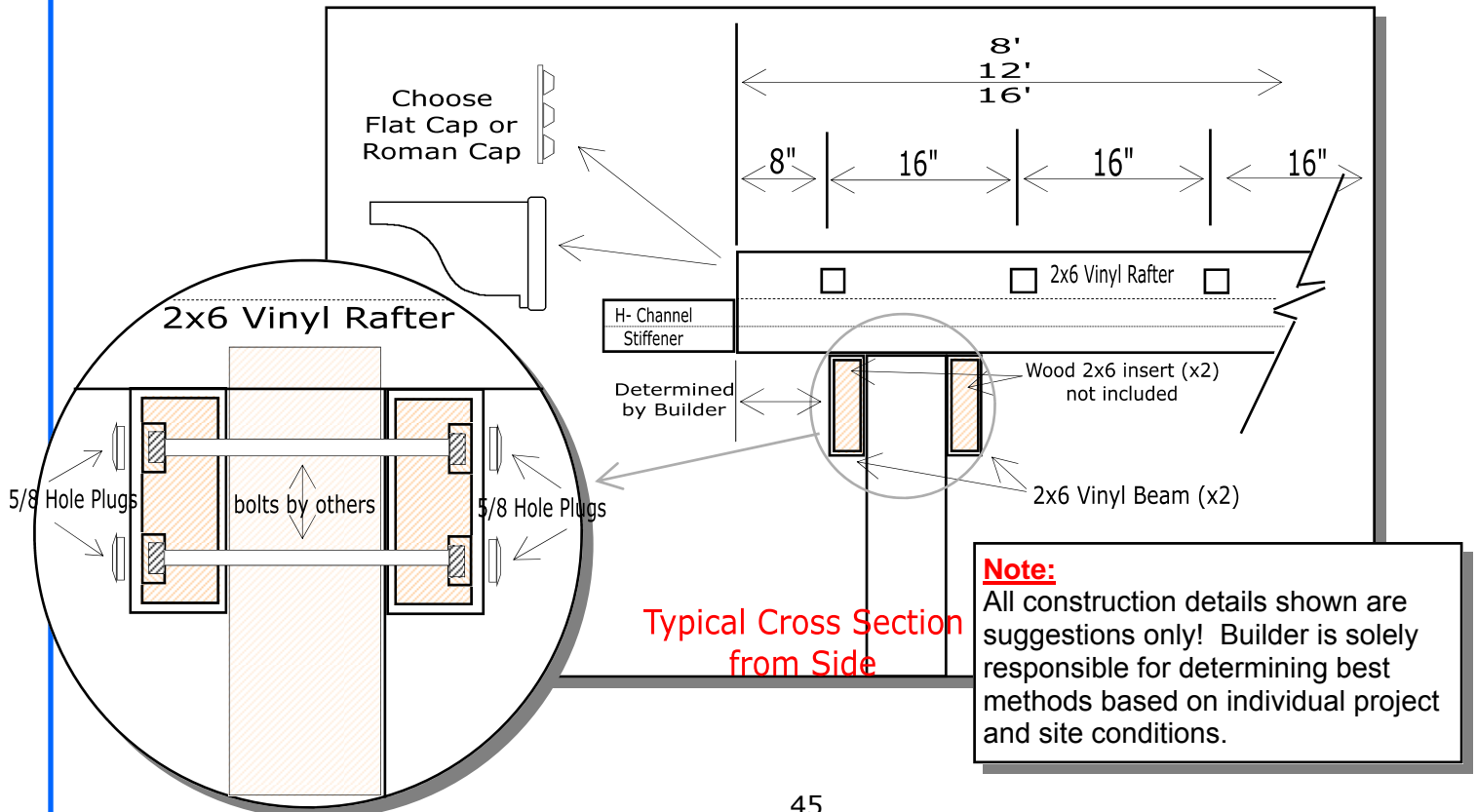


Note:
All construction details shown are suggestions only! Builder is solely responsible for determining best methods based on individual project and site conditions.

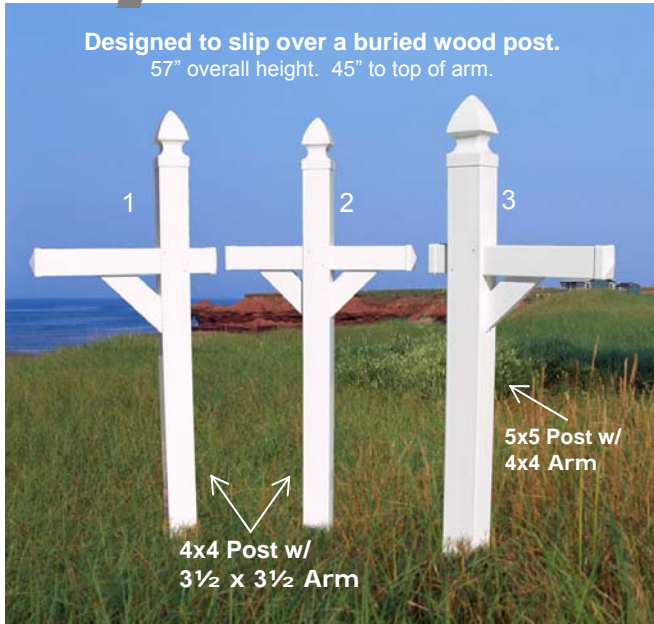
Pergola Roof Component System



- A. End Rafter
2x6 hollow. Stiffener recommended for lengths over 8'.
Holes for purlins routed on one side only. Same part makes right or left.
- B. Mid Rafter
2x6 hollow. Stiffener recommended for lengths over 8'.
Holes for purlins routed through both sides.
- C. Purlin
1-1/2" x 1-1/2" hollow. No stiffener.
Runs continuous from end rafter to end rafter.
- D. Beam
2X6 hollow. Uses wood 2x6 (nom) as stiffener.
Bolts to existing posts. Bolts & wood by others.



Garden & Patio Accessories

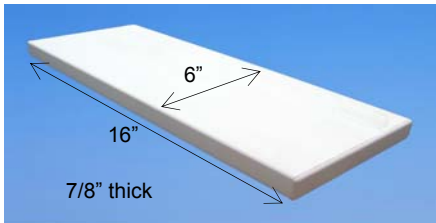


Vinyl Mail Box Posts			Each 1-5	Each 6+
1	Standard Mail Box Post	AMB1 White Only		
2	Standard Double Mail Box Post	AMB4 White		
3	Heavy Duty Mail Box Post	AMB3 White		
		AMB3- Colors		



"Signature Series"
Vinyl Mail Box Post
W/ planter

56-1/2" overall height
Adjustable box height
Includes treated 4x4 post
Mail Box NOT Included.
AMB2



Mail Box Mounting Board	Each 1 - 5	Each 6 +
16" x 6" x 7/8" Fits standard mail boxes. AAMB		

Planter Boxes		
Small Planter Box (Inside dimensions 13 3/4" x 13 3/4")	PBS	
Large Planter Box (Inside dimensions 16 3/4" x 16 3/4")	PBL	

**Planter Boxes are designed to accommodate flower pots or baskets. From floor of box to top of rail for the small planter box measures 12 1/2" and the large is 15 1/2".



Garden & Patio Accessories

The Kingsport Series is manufactured by Missouri Vinyl Products.



Kingsport Pergola

53" Wide x 35" Deep
x 96" High
(Outside Measurements)
Posts - 4" x 4" x 102"
Secure to anchored wood posts.
(NOT INCLUDED)

AKP1



Kingsport Arbor

57" Wide x 35" Deep
x 96" High
(Outside Measurements)
Posts - 4" x 4" x 96"
Secure to anchored wood posts.
(NOT INCLUDED)

AKA1



Kingsport Trellis

47 $\frac{3}{4}$ " Wide x 74" High
(Outside Measurements)
Posts - 4" x 4"
12" for burial or secure
to anchored wood posts.

AKT1



Countryside Corner Accent

54" wide on each side w/ 4x4 posts
46 $\frac{1}{2}$ " @ tallest picket
34 $\frac{3}{4}$ " @ shortest picket
Approx. 24" of post for burial.

ACF1